

氣缸氣控閥



High-Flow Pilot On/Off Valve

氣缸氣控閥 High-Flow Pilot On/Off Valve



1/2"~2"



產品特色 Features

- 壽命長、流量大、速度快、可忍受污染空氣 Long Life, High Flow, High Speed, tolerable to contaminated air
- 可運用在液體、正壓或真空等條件做控制 Air, liquid, can be used in positive pressure or vacuum
- 介質耐溫範圍可達 -5~100°C Media temperature from -5~100°C (23°F ~ 302°F)
- 閥體材質有銅或白鐵304、密封材料有Viton或PTFE供客人選擇
Body material: brass or stainless steel 304.
Seal: Viton or PTFE

介紹 Introduction

氣缸氣控閥我們又稱 B 型閥，動作原理是由上方氣缸伸縮來移動活塞，達到壓閉或開啟閥門動作，僅需要透過氣壓源供應即可操作。最常用使用三口二位或五口二位電磁閥來做搭配設計，可選擇做(單動式-NC)或(複動式-NO.NC)等運用。

Pneumatic control (cylinder) valve, also known as B-type valve, the cylinder directly drives the valve plate, seal material Viton or Teflon-PTFE selections. Long life, high flow, resistant to air pollution, can replace copper rotating cylinder valve or diaphragm valve. Normally used with 3/2-way or 5/2-way solenoid valve, with selection fo N.C. or N.O.

規格 Specification

型號 Model	ZQ22HD15	ZQ22HD20	ZQ22HD25	ZQ22HD35	ZQ22HD40	ZQ22HD50
閥體材質 Body Material	銅 Brass/白鐵 Stainless					
通徑 Orifice Size	12	16	20	34.5	34.5	44.3
工作介質 Working Medium	空氣、水、油、液化氣、低黏度度流體 Air、Water、Oil、liquefied gas、free-running viscosity liquid					
流體壓力 Fluid Pressure	0-10kg/cm ²					
介質溫度 Medium Temp	-5~100°C					
氣缸作動壓力 Cylinder working pressure	3Bar~					

氣缸氣控閥 High-Flow Pilot On/Off Valve

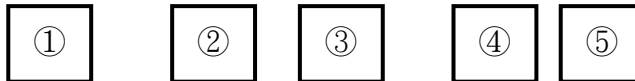


1/2"~2"

型號選擇：

Ordering Code

ZQ22HD 15 SUS - SC V



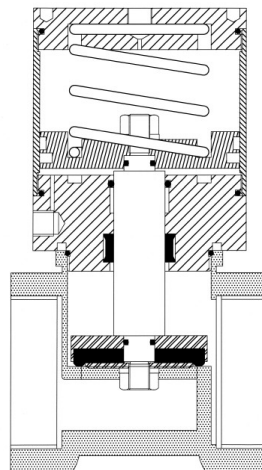
① ZQ22HD
氣缸氣控閥 Pneumatic Operation

② 口徑 Port Size
·15-1/2" ·20-3/4" ·25-1"
·35-1¹/₄" ·40-1¹/₂" ·50-2"

③ 本體材質 Body Material
空白/Blank：銅本體 Brass
SUS：白鐵本體 Stainless Steel

④ 動作方式 Motion Pattern
SC：單動常閉
Single Action&Normally Close
D：雙動 Double Action

⑤ 油封材質 Seal Material
V：Viton
P：PTFE(限雙動)
(Only Double Action not for Single Action)

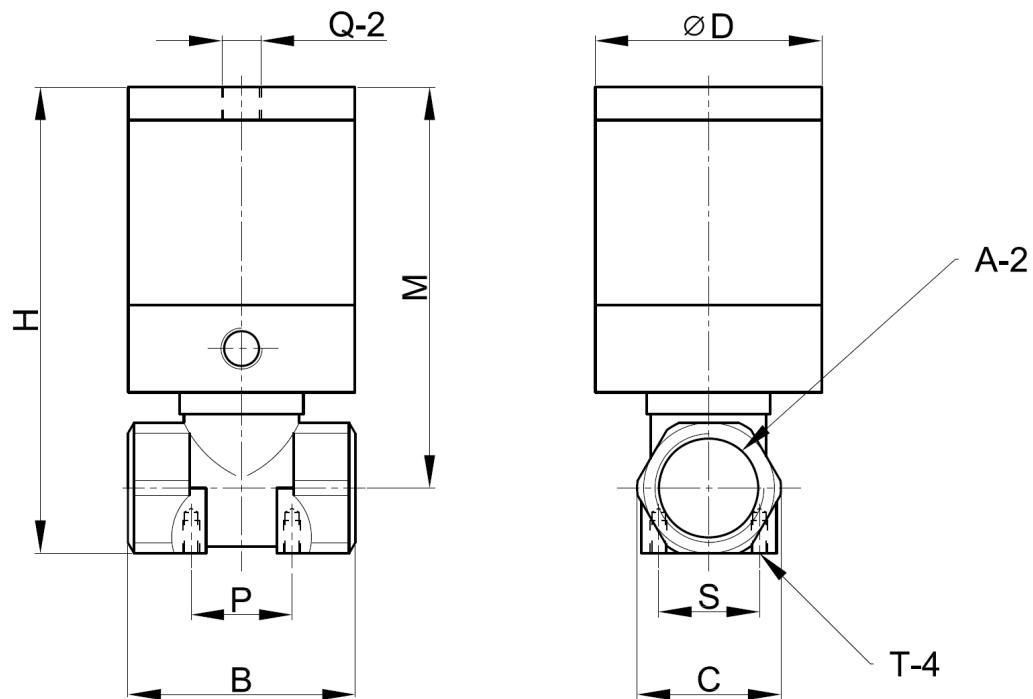


* 內部剖視圖

氣缸氣控閥 High-Flow Pilot On/Off Valve



1/2"~2"



外觀尺寸 Dimension Sheet

型號 Model	A	B	C	φD	H	M	Q	*P	*S	*T	氣缸內徑 Cylinder Bore	KV(m ³ /h)
ZQ22HD15	G1/2"	48.5	29.5	45	108	95	G1/8"	-	-	-	φ 40	3.4
ZQ22HD15-SUS		48.5	29	45	107	95		20.5	20.5	M4*0.7		
ZQ22HD20	G3/4"	55.5	35	55	115	99.6	G1/8"	-	-	-	φ 50	7.9
ZQ22HD20-SUS		55.2	35	55	113	98		24.5	24.5	M4*0.7		
ZQ22HD25	G1"	74.5	43	55	123	104	G1/8"	-	-	-	φ 50	11
ZQ22HD25-SUS		74.5	42	55	120	103		28.4	25.8	M4*0.7		
ZQ22HD35	G1 ¹ / ₄ "	96	55	68	163	139.5	G1/8"	-	-	-	φ 63	18
ZQ22HD35-SUS		96.6	52	68	162	139		50.8	38.9	M5*0.8		
ZQ22HD40	G1 ¹ / ₂ "	96	60	68	165	139	G1/8"	-	-	-	φ 63	28
ZQ22HD40-SUS		96.6	58	68	163.5	138		51.4	41.2	M5*0.8		
ZQ22HD50-SUS	G2"	113	70	86	181.5	151.4	G1/8"	58.4	49.7	M5*0.8	φ 80	44

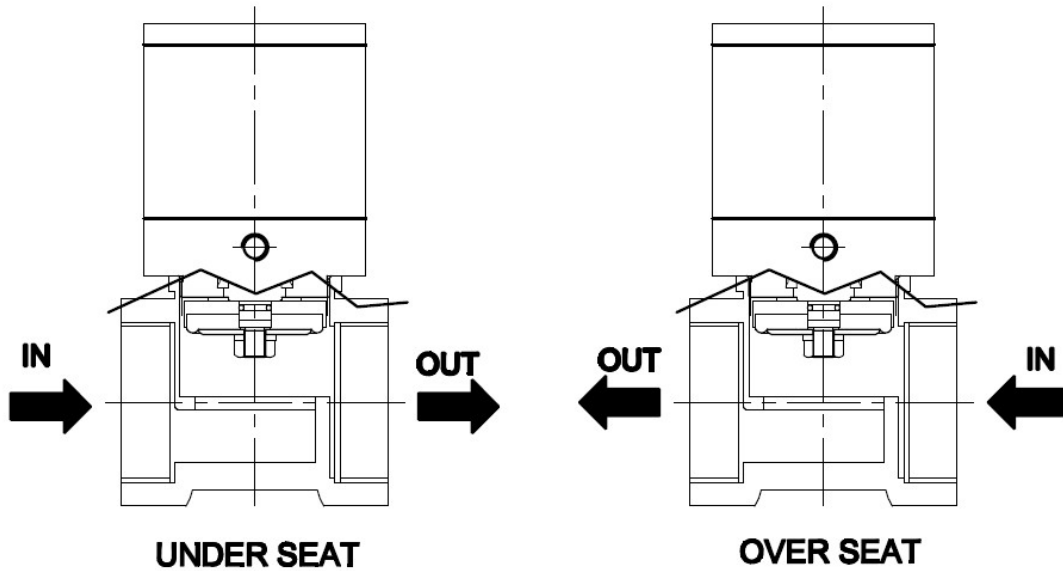
*僅白鐵本體系列有固定孔 Only the stainless steel body series has fixing holes.

氣缸氣控閥 High-Flow Pilot On/Off Valve



1/2"~2"

耐壓對照表 **Max Operating Pressure** :



單動缸 Single Action

	UNDER SEAT (Bar)	OVER SEAT (Bar)	PILOT (Bar)
1/2"	7	7	3
3/4"	7	7	3
1"	5	7	3
1 ¹ / ₄ "	2	7	3
1 ¹ / ₂ "	2	7	3
2"	2	7	3

雙動缸 Double Acting

	UNDER SEAT (Bar)	OVER SEAT (Bar)	PILOT (Bar)
1/2"	8	8	3
3/4"	8	8	3
1"	8	8	3
1 ¹ / ₄ "	8	8	3
1 ¹ / ₂ "	8	8	3
2"	8	8	3